

Unidades de Enfriamiento Evaporativo

Series EVC



Oficina de Ventas:
Telefonos
(55) 5541-2405
(55) 5541-6750
(55) 5541-0679 FAX

www.airequipos.com
e-mail: ventas@airequipos.com



AirEquipos

Ventiladores Industriales
Desde 1970
52 (55) 5541-2405
52 (55) 5541-0679 fax

Modelo EVC 37

Diseño F

e-mail ventas@airequipos.com

| | | |
|----------------------|-------|-------------------------|
| Diam. Rotor (pulg) | 37.00 | Unidad Lavadora de Aire |
| Area Descarga (pie2) | 13.79 | |
| RPM Maximias | | |

Presion Estatica (pulgadas columna de agua con aire estándar de 0.075 lb/ pie3 de densidad)

| Flujo (PCM) | Velocidad de Salida (pies/ min) | 0.25 | | 0.38 | | 0.50 | | 0.75 | | 1.00 | | 1.25 | | 1.50 | | 1.75 | | 2.00 | |
|----------------|------------------------------------|------|------|------|------|------|-------|------|-------|------|-------|------|-------|------|-------|------|-------|------|-------|
| | | rpm | hp | rpm | hp | rpm | hp | rpm | hp | rpm | hp | rpm | hp | rpm | hp | rpm | hp | rpm | hp |
| 13788 | 1000 | 146 | 1.02 | 172 | 1.36 | | | | | | | | | | | | | | |
| 15166 | 1100 | 149 | 1.18 | 173 | 1.54 | 197 | 1.98 | | | | | | | | | | | | |
| 16545 | 1200 | 153 | 1.38 | 176 | 1.76 | 199 | 2.21 | | | | | | | | | | | | |
| 17924 | 1300 | 157 | 1.58 | 178 | 1.98 | 201 | 2.44 | 242 | 3.51 | | | | | | | | | | |
| 19303 | 1400 | 162 | 1.85 | 183 | 2.25 | 203 | 2.71 | 243 | 3.79 | | | | | | | | | | |
| 20681 | 1500 | 167 | 2.16 | 187 | 2.53 | 206 | 3.04 | 245 | 4.14 | 280 | 5.38 | | | | | | | | |
| 22060 | 1600 | 173 | 2.53 | 191 | 2.89 | 210 | 3.38 | 247 | 4.50 | 281 | 5.76 | | | | | | | | |
| 23439 | 1700 | 178 | 2.93 | 196 | 3.31 | 214 | 3.78 | 249 | 4.89 | 283 | 6.19 | 313 | 7.61 | | | | | | |
| 24818 | 1800 | 183 | 3.34 | 201 | 3.76 | 218 | 4.23 | 253 | 5.36 | 284 | 6.62 | 314 | 8.10 | 342 | 9.70 | | | | |
| 26196 | 1900 | 188 | 3.78 | 205 | 4.26 | 223 | 4.75 | 256 | 5.88 | 286 | 7.12 | 315 | 8.58 | 343 | 10.26 | | | | |
| 27575 | 2000 | 194 | 4.28 | 211 | 4.80 | 228 | 5.32 | 260 | 6.44 | 288 | 7.70 | 316 | 9.14 | 344 | 10.87 | 369 | 12.60 | | |
| 28954 | 2100 | 200 | 4.86 | 212 | 5.41 | 233 | 5.94 | 264 | 7.12 | 291 | 8.31 | 317 | 9.75 | 345 | 11.52 | 370 | 13.30 | 394 | 15.12 |
| 30333 | 2200 | 205 | 5.45 | 223 | 6.08 | 238 | 6.66 | 268 | 7.83 | 294 | 9.01 | 320 | 10.44 | 347 | 12.20 | 371 | 14.02 | 395 | 15.80 |
| 31711 | 2300 | | | 228 | 6.78 | 243 | 7.39 | 263 | 8.60 | 298 | 9.82 | 323 | 11.19 | 349 | 12.96 | 373 | 14.77 | 397 | 16.56 |
| 33090 | 2400 | | | 233 | 7.52 | 249 | 8.19 | 278 | 9.46 | 302 | 10.67 | 327 | 12.04 | 352 | 13.77 | 374 | 15.60 | 398 | 17.42 |
| 35848 | 2600 | | | | | 260 | 9.90 | 287 | 11.32 | 312 | 12.60 | 335 | 14.02 | 358 | 15.62 | 380 | 17.46 | 402 | 19.40 |
| 38605 | 2800 | | | | | 272 | 11.91 | 297 | 13.35 | 321 | 14.76 | 343 | 16.32 | 365 | 17.85 | 387 | 19.62 | 407 | 21.49 |
| 41363 | 3000 | | | | | | | 312 | 15.60 | 331 | 17.28 | 353 | 18.90 | 373 | 20.46 | 393 | 22.15 | 413 | 24.06 |
| 44120 | 3200 | | | | | | | 319 | 18.23 | 341 | 20.08 | 363 | 21.78 | 381 | 23.40 | 402 | 25.02 | 421 | 26.96 |
| 46878 | 3400 | | | | | | | 332 | 21.34 | 352 | 23.20 | 373 | 25.00 | 391 | 26.76 | 411 | 28.44 | 430 | 30.34 |
| 49635 | 3600 | | | | | | | | | 363 | 26.64 | 383 | 28.44 | 401 | 30.42 | 421 | 32.20 | 439 | 34.18 |
| 52393 | 3800 | | | | | | | | | 375 | 30.38 | 394 | 32.29 | 412 | 34.27 | 431 | 36.12 | 448 | 38.32 |
| 55150 | 4000 | | | | | | | | | 387 | 34.41 | 405 | 36.14 | 423 | 38.12 | 441 | 40.05 | 458 | 42.66 |

Presion Estatica (pulgadas columna de agua con aire estándar de 0.075 lb/ pie3 de densidad)

| Flujo (PCM) | Velocidad de Salida (pies/ min) | 2.25 | | 2.50 | | 3.00 | | 3.50 | | 4.00 | | 4.50 | | 5.00 | | 5.50 | | 6.00 | |
|----------------|------------------------------------|------|-------|------|-------|------|-------|------|-------|------|-------|------|-------|------|-------|------|-------|------|-------|
| | | rpm | hp | rpm | hp | rpm | hp | rpm | hp | rpm | hp | rpm | hp | rpm | hp | rpm | hp | rpm | hp |
| 31711 | 2300 | 419 | 18.54 | 440 | 20.79 | | | | | | | | | | | | | | |
| 33090 | 2400 | 420 | 19.35 | 442 | 21.58 | | | | | | | | | | | | | | |
| 35848 | 2600 | 423 | 21.34 | 444 | 23.54 | 485 | 27.93 | | | | | | | | | | | | |
| 38605 | 2800 | 426 | 23.54 | 448 | 25.72 | 487 | 30.36 | 523 | 35.20 | | | | | | | | | | |
| 41363 | 3000 | 432 | 26.08 | 452 | 28.13 | 489 | 33.08 | 524 | 37.78 | 558 | 42.96 | | | | | | | | |
| 44120 | 3200 | 438 | 28.99 | 456 | 31.08 | 492 | 35.96 | 527 | 40.80 | 560 | 46.08 | 593 | 51.62 | | | | | | |
| 46878 | 3400 | 447 | 32.40 | 463 | 34.45 | 498 | 39.02 | 532 | 44.08 | 563 | 49.51 | 594 | 55.04 | 625 | 60.96 | | | | |
| 49635 | 3600 | 455 | 36.21 | 471 | 38.16 | 505 | 42.66 | 536 | 47.82 | 567 | 53.13 | 597 | 58.80 | 627 | 64.56 | 657 | 71.02 | 685 | 77.72 |
| 52393 | 3800 | 463 | 40.33 | 479 | 42.42 | 512 | 49.98 | 542 | 52.00 | 572 | 57.18 | 600 | 62.82 | 630 | 68.77 | 659 | 75.52 | 687 | 82.06 |
| 55150 | 4000 | 472 | 44.62 | 487 | 46.92 | 519 | 51.66 | 547 | 56.55 | 576 | 61.81 | 603 | 66.97 | 632 | 73.45 | 661 | 80.26 | 690 | 86.86 |



AirEquipos

Ventiladores Industriales
Desde 1970
52 (55) 5541-2405
52 (55) 5541-0679 fax

Modelo EVC 33

Diseño F

e-mail ventas@airequipos.com

| | | |
|----------------------|-------|-------------------------|
| Diam. Rotor (pulg) | 33.00 | Unidad Lavadora de Aire |
| Area Descarga (pie2) | 11.31 | |
| RPM Maximias | | |

Presion Estatica (pulgadas columna de agua con aire estándar de 0.075 lb/ pie3 de densidad)

| Flujo | Velocidad de Salida | 0.25 | | 0.38 | | 0.50 | | 0.75 | | 1.00 | | 1.25 | | 1.50 | | 1.75 | | 2.00 | | |
|-------|---------------------|-------|-------------|------|------|------|-------|------|-------|------|-------|------|-------|------|-------|------|-------|------|-------|-----|
| | | (PCM) | (pies/ min) | rpm | hp | rpm | hp | rpm | hp | rpm | hp | rpm | hp | rpm | hp | rpm | hp | rpm | hp | rpm |
| 11305 | 1000 | 163 | 0.82 | 192 | 1.11 | | | | | | | | | | | | | | | |
| 12436 | 1100 | 167 | 0.97 | 195 | 1.27 | 220 | 1.60 | | | | | | | | | | | | | |
| 13566 | 1200 | 172 | 1.15 | 198 | 1.45 | 222 | 1.80 | | | | | | | | | | | | | |
| 14697 | 1300 | 176 | 1.33 | 201 | 1.65 | 224 | 2.01 | 272 | 2.88 | | | | | | | | | | | |
| 15827 | 1400 | 181 | 1.56 | 205 | 1.89 | 227 | 2.25 | 273 | 3.02 | | | | | | | | | | | |
| 16958 | 1500 | 187 | 1.81 | 210 | 2.17 | 232 | 2.53 | 274 | 3.25 | 313 | 4.42 | | | | | | | | | |
| 18088 | 1600 | 194 | 2.12 | 215 | 2.48 | 237 | 2.84 | 276 | 3.60 | 314 | 4.46 | | | | | | | | | |
| 19219 | 1700 | 200 | 2.44 | 220 | 2.80 | 242 | 3.20 | 280 | 4.01 | 315 | 4.82 | 350 | 6.14 | | | | | | | |
| 20349 | 1800 | 206 | 2.79 | 226 | 3.18 | 247 | 3.60 | 284 | 4.46 | 317 | 5.41 | 351 | 6.64 | 383 | 7.95 | | | | | |
| 21480 | 1900 | 213 | 3.19 | 232 | 3.60 | 252 | 4.05 | 288 | 4.95 | 320 | 5.95 | 352 | 7.14 | 384 | 8.42 | | | | | |
| 22610 | 2000 | 220 | 3.63 | 238 | 4.05 | 258 | 4.50 | 292 | 5.45 | 323 | 6.49 | 354 | 7.68 | 385 | 8.94 | 415 | 10.29 | | | |
| 23741 | 2100 | 227 | 4.14 | 245 | 4.68 | 264 | 5.04 | 297 | 6.06 | 327 | 7.11 | 357 | 8.28 | 386 | 9.50 | 416 | 10.85 | 441 | 12.31 | |
| 24871 | 2200 | 234 | 4.59 | 252 | 5.13 | 270 | 5.58 | 302 | 6.64 | 331 | 7.39 | 360 | 8.94 | 388 | 10.09 | 417 | 11.52 | 442 | 12.94 | |
| 26002 | 2300 | | | 259 | 5.76 | 277 | 6.12 | 307 | 7.23 | 336 | 8.40 | 363 | 9.63 | 391 | 10.78 | 418 | 12.22 | 443 | 13.64 | |
| 27132 | 2400 | | | 266 | 6.30 | 284 | 6.84 | 312 | 7.92 | 341 | 9.12 | 368 | 10.31 | 393 | 11.53 | 419 | 12.96 | 444 | 14.40 | |
| 29393 | 2600 | | | | | 295 | 8.24 | 324 | 9.41 | 351 | 10.60 | 376 | 11.84 | 400 | 13.28 | 425 | 14.56 | 449 | 16.18 | |
| 31654 | 2800 | | | | | 308 | 10.08 | 336 | 11.17 | 361 | 12.40 | 386 | 13.69 | 409 | 15.19 | 433 | 16.47 | 456 | 18.18 | |
| 33915 | 3000 | | | | | | | 349 | 13.17 | 373 | 14.42 | 397 | 15.84 | 420 | 17.28 | 442 | 18.75 | 464 | 20.35 | |
| 36176 | 3200 | | | | | | | 362 | 15.48 | 386 | 16.79 | 410 | 18.21 | 432 | 19.69 | 453 | 21.27 | 472 | 22.71 | |
| 38437 | 3400 | | | | | | | 376 | 18.05 | 399 | 19.51 | 422 | 20.93 | 443 | 22.44 | 463 | 24.08 | 482 | 25.59 | |
| 40698 | 3600 | | | | | | | | | 413 | 22.46 | 433 | 23.94 | 454 | 25.50 | 473 | 27.19 | 492 | 28.81 | |
| 42959 | 3800 | | | | | | | | | 425 | 22.54 | 446 | 27.05 | 465 | 26.67 | 484 | 30.56 | 503 | 32.27 | |
| 45220 | 4000 | | | | | | | | | 438 | 28.76 | 457 | 30.34 | 476 | 30.22 | 494 | 34.05 | 514 | 35.87 | |

Presion Estatica (pulgadas columna de agua con aire estándar de 0.075 lb/ pie3 de densidad)

| Flujo | Velocidad de Salida | 2.25 | | 2.50 | | 3.00 | | 3.50 | | 4.00 | | 4.50 | | 5.00 | | 5.50 | | 6.00 | | |
|-------|---------------------|-------|-------------|------|-------|------|-------|------|-------|------|-------|------|-------|------|-------|------|-------|------|-------|-----|
| | | (PCM) | (pies/ min) | rpm | hp | rpm | hp | rpm | hp | rpm | hp | rpm | hp | rpm | hp | rpm | hp | rpm | hp | rpm |
| 26002 | 2300 | 470 | 15.15 | | | | | | | | | | | | | | | | | |
| 27132 | 2400 | 471 | 15.84 | 495 | 17.60 | | | | | | | | | | | | | | | |
| 29393 | 2600 | 473 | 17.62 | 496 | 19.40 | 542 | 22.98 | | | | | | | | | | | | | |
| 31654 | 2800 | 478 | 19.49 | 499 | 21.40 | 543 | 24.85 | 585 | 28.67 | | | | | | | | | | | |
| 33915 | 3000 | 484 | 21.81 | 505 | 23.67 | 545 | 27.16 | 586 | 30.94 | 626 | 35.13 | | | | | | | | | |
| 36176 | 3200 | 492 | 24.44 | 512 | 26.15 | 551 | 29.73 | 589 | 33.60 | 627 | 37.67 | 664 | 42.24 | | | | | | | |
| 38437 | 3400 | 502 | 27.25 | 520 | 28.99 | 558 | 32.54 | 594 | 36.50 | 630 | 40.73 | 665 | 45.05 | 700 | 49.93 | | | | | |
| 40698 | 3600 | 511 | 30.29 | 529 | 32.32 | 566 | 35.94 | 600 | 39.83 | 634 | 44.06 | 667 | 48.47 | 701 | 53.04 | 734 | 58.08 | 766 | 63.54 | |
| 42959 | 3800 | 521 | 33.94 | 539 | 35.91 | 574 | 39.65 | 607 | 43.60 | 638 | 47.73 | 673 | 52.27 | 705 | 56.88 | 736 | 61.68 | 769 | 67.26 | |
| 45220 | 4000 | 531 | 37.65 | 548 | 39.62 | 582 | 43.59 | 614 | 47.64 | 643 | 51.82 | 680 | 56.35 | 710 | 61.43 | 740 | 65.88 | 772 | 71.64 | |



AirEquipos

Ventiladores Industriales
Desde 1970
52 (55) 5541-2405
52 (55) 5541-0679 fax

Modelo EVC 25

Diseño F

e-mail ventas@airequipos.com

| | | |
|----------------------|-------|-------------------------|
| Diam. Rotor (pulg) | 25.00 | Unidad Lavadora de Aire |
| Area Descarga (pie2) | 6.711 | |
| RPM Maximias | 900 | |

Presion Estatica (pulgadas columna de agua con aire estándar de 0.075 lb/ pie3 de densidad)

| Flujo (PCM) | Vel. de Salida pies/ min | 0.13 | | 0.25 | | 0.38 | | 0.50 | | 0.63 | | 0.75 | | 1.00 | | 1.25 | | 1.50 | | 1.75 | | 2.00 | | 2.50 | |
|----------------|-----------------------------|------|------|------|------|------|------|------|------|------|------|------|------|------|------|------|------|------|------|------|------|------|-------|------|-------|
| | | rpm | hp | rpm | hp | rpm | hp | rpm | hp | rpm | hp | rpm | hp | rpm | hp | rpm | hp | rpm | hp | rpm | hp | rpm | hp | rpm | hp |
| 4000 | 596 | 142 | 0.14 | 198 | 0.24 | 259 | 0.41 | 302 | 0.56 | 337 | 0.72 | 369 | 0.87 | 423 | 1.22 | 470 | 1.59 | 510 | 1.99 | 547 | 2.41 | 580 | 2.83 | 638 | 3.75 |
| 5000 | 745 | 147 | 0.20 | 199 | 0.32 | 243 | 0.46 | 291 | 0.64 | 336 | 0.87 | 370 | 1.06 | 427 | 1.44 | 476 | 1.84 | 519 | 2.27 | 558 | 2.72 | 594 | 3.19 | 657 | 4.21 |
| 6000 | 894 | 155 | 0.28 | 202 | 0.42 | 242 | 0.57 | 280 | 0.07 | 318 | 0.92 | 359 | 1.17 | 427 | 1.69 | 478 | 2.13 | 522 | 2.59 | 563 | 3.08 | 600 | 3.58 | 668 | 4.65 |
| 7000 | 1043 | 165 | 0.39 | 207 | 0.55 | 246 | 0.72 | 281 | 0.88 | 313 | 1.07 | 342 | 1.27 | 414 | 1.81 | 476 | 2.44 | 524 | 2.96 | 565 | 3.48 | 603 | 4.03 | 672 | 5.16 |
| 8000 | 1192 | 176 | 0.54 | 214 | 0.71 | 250 | 0.89 | 283 | 1.08 | 315 | 1.28 | 344 | 1.49 | 394 | 1.93 | 459 | 2.55 | 518 | 3.27 | 565 | 3.94 | 605 | 4.52 | 675 | 5.73 |
| 9000 | 1341 | 189 | 0.71 | 223 | 0.90 | 256 | 1.10 | 288 | 1.32 | 317 | 1.53 | 345 | 1.74 | 396 | 2.22 | 441 | 2.72 | 498 | 3.39 | 553 | 4.17 | 601 | 4.98 | 676 | 6.35 |
| 10000 | 1490 | 203 | 0.93 | 234 | 1.14 | 264 | 1.35 | 293 | 1.59 | 321 | 1.82 | 348 | 2.06 | 398 | 2.53 | 443 | 3.07 | 483 | 3.64 | 532 | 4.32 | 583 | 5.15 | 673 | 6.94 |
| 11000 | 1639 | 218 | 1.20 | 246 | 1.42 | 273 | 1.65 | 301 | 1.89 | 327 | 2.15 | 352 | 2.41 | 400 | 2.93 | 444 | 3.47 | 485 | 4.06 | 522 | 4.68 | 564 | 5.35 | 655 | 7.14 |
| 12000 | 1788 | 232 | 1.51 | 258 | 1.74 | 284 | 1.99 | 309 | 2.26 | 344 | 2.52 | 358 | 2.81 | 403 | 3.37 | 446 | 3.94 | 486 | 4.53 | 524 | 5.18 | 559 | 5.85 | 635 | 7.39 |
| 13000 | 1937 | 248 | 1.88 | 272 | 2.13 | 295 | 2.39 | 319 | 2.67 | 342 | 2.95 | 365 | 3.25 | 408 | 3.86 | 449 | 4.47 | 489 | 5.08 | 526 | 5.73 | 561 | 6.44 | 625 | 7.89 |
| 14000 | 2086 | 263 | 2.30 | 286 | 2.57 | 307 | 2.85 | 329 | 3.14 | 351 | 3.44 | 373 | 3.75 | 414 | 4.40 | 454 | 5.06 | 491 | 5.72 | 528 | 6.38 | 562 | 7.07 | 627 | 8.59 |
| 15000 | 2235 | 279 | 2.79 | 300 | 3.07 | 320 | 3.37 | 341 | 3.68 | 361 | 3.99 | 381 | 4.32 | 421 | 4.99 | 459 | 5.70 | 495 | 6.41 | 530 | 7.11 | 564 | 7.82 | 628 | 9.36 |
| 16000 | 2384 | 294 | 3.34 | 314 | 3.64 | 334 | 3.95 | 353 | 4.28 | 372 | 4.61 | 391 | 4.95 | 429 | 5.65 | 465 | 6.40 | 500 | 7.15 | 534 | 7.91 | 567 | 8.65 | 629 | 10.20 |
| 17000 | 2533 | 310 | 3.97 | 329 | 4.29 | 348 | 4.61 | 366 | 4.95 | 384 | 5.31 | 401 | 5.66 | 438 | 6.40 | 472 | 7.15 | 506 | 7.96 | 539 | 8.76 | 571 | 9.57 | 631 | 11.16 |
| 18000 | 2682 | 327 | 4.67 | 344 | 5.01 | 362 | 5.34 | 379 | 5.70 | 396 | 6.02 | 413 | 6.44 | 447 | 7.22 | 480 | 8.00 | 513 | 8.83 | 544 | 9.68 | 575 | 10.53 | 634 | 12.21 |



AirEquipos

Ventiladores Industriales
Desde 1970
52 (55) 5541-2405
52 (55) 5541-0679 fax

Modelo EVC 30

Diseño F

e-mail ventas@airequipos.com

| | | |
|----------------------|-------|-------------------------|
| Diam. Rotor (pulg) | 30.00 | Unidad Lavadora de Aire |
| Area Descarga (pie2) | 9.302 | |
| RPM Maximias | 700 | |

Presion Estatica (pulgadas columna de agua con aire estándar de 0.075 lb/ pie3 de densidad)

| Flujo (PCM) | Vel. de Salida pies/ min | 0.13 | | 0.25 | | 0.38 | | 0.50 | | 0.63 | | 0.75 | | 1.00 | | 1.25 | | 1.50 | | 1.75 | | 2.00 | | 2.50 | |
|----------------|-----------------------------|------|------|------|------|------|------|------|------|------|------|------|------|------|------|------|------|------|------|------|------|------|-------|------|-------|
| | | rpm | hp | rpm | hp | rpm | hp | rpm | hp | rpm | hp | rpm | hp | rpm | hp | rpm | hp | rpm | hp | rpm | hp | rpm | hp | rpm | hp |
| 7000 | 753 | 117 | 0.27 | 161 | 0.45 | 205 | 0.70 | 249 | 1.01 | 279 | 1.30 | 306 | 1.58 | 354 | 2.20 | 395 | 2.86 | 431 | 3.56 | 464 | 4.33 | 492 | 5.04 | 543 | 6.56 |
| 8000 | 860 | 121 | 0.35 | 162 | 0.54 | 196 | 0.76 | 239 | 1.08 | 277 | 1.44 | 306 | 1.76 | 354 | 2.41 | 396 | 3.12 | 433 | 3.86 | 467 | 4.63 | 498 | 5.46 | 552 | 7.16 |
| 9000 | 968 | 125 | 0.44 | 163 | 0.65 | 197 | 0.88 | 226 | 1.14 | 266 | 1.50 | 303 | 1.94 | 353 | 2.66 | 395 | 3.39 | 433 | 4.18 | 468 | 5.00 | 500 | 5.85 | 557 | 7.65 |
| 10000 | 1075 | 131 | 0.55 | 166 | 0.78 | 198 | 1.02 | 227 | 1.29 | 253 | 1.58 | 288 | 1.95 | 351 | 2.90 | 395 | 3.70 | 433 | 4.50 | 468 | 5.37 | 501 | 6.27 | 559 | 8.14 |
| 11000 | 1183 | 137 | 0.68 | 169 | 0.93 | 200 | 1.19 | 228 | 1.47 | 254 | 1.77 | 277 | 2.08 | 343 | 3.04 | 393 | 4.00 | 432 | 4.88 | 468 | 5.76 | 500 | 6.70 | 560 | 8.66 |
| 12000 | 1290 | 143 | 0.83 | 174 | 1.11 | 202 | 1.38 | 230 | 1.67 | 255 | 1.99 | 278 | 2.31 | 326 | 3.07 | 387 | 4.23 | 431 | 5.25 | 467 | 6.20 | 500 | 7.16 | 559 | 9.20 |
| 13000 | 1398 | 150 | 1.01 | 179 | 1.30 | 206 | 1.59 | 232 | 1.90 | 256 | 2.22 | 279 | 2.57 | 320 | 3.29 | 370 | 4.21 | 426 | 5.55 | 466 | 6.63 | 499 | 7.66 | 559 | 9.74 |
| 14000 | 1505 | 156 | 1.20 | 184 | 1.53 | 210 | 1.84 | 234 | 2.16 | 258 | 2.50 | 280 | 2.84 | 321 | 3.61 | 361 | 4.42 | 411 | 5.57 | 460 | 6.99 | 497 | 8.15 | 558 | 10.37 |
| 15000 | 1613 | 163 | 1.43 | 190 | 1.78 | 214 | 2.11 | 237 | 2.45 | 260 | 2.81 | 282 | 3.16 | 322 | 3.95 | 359 | 4.79 | 398 | 5.71 | 447 | 7.05 | 492 | 8.55 | 558 | 11.00 |
| 16000 | 1720 | 170 | 1.68 | 196 | 2.06 | 219 | 2.41 | 241 | 2.77 | 263 | 3.14 | 284 | 3.53 | 323 | 4.32 | 360 | 5.19 | 393 | 6.09 | 431 | 7.15 | 478 | 8.63 | 555 | 11.50 |
| 17000 | 1828 | 178 | 1.97 | 202 | 2.37 | 225 | 2.76 | 246 | 3.13 | 266 | 3.51 | 286 | 3.92 | 325 | 4.74 | 361 | 5.63 | 394 | 6.56 | 424 | 7.53 | 461 | 8.70 | 548 | 11.99 |
| 18000 | 1935 | 185 | 2.28 | 209 | 2.71 | 231 | 3.13 | 251 | 3.52 | 270 | 3.92 | 289 | 4.34 | 327 | 5.20 | 362 | 6.09 | 395 | 7.07 | 425 | 8.07 | 453 | 9.11 | 532 | 12.01 |
| 19000 | 2043 | 192 | 2.62 | 216 | 3.09 | 237 | 3.53 | 256 | 3.95 | 275 | 4.38 | 293 | 4.80 | 329 | 5.70 | 363 | 6.62 | 396 | 7.61 | 426 | 8.65 | 454 | 9.71 | 516 | 12.16 |
| 20000 | 2150 | 199 | 3.00 | 222 | 3.50 | 243 | 3.96 | 262 | 4.43 | 280 | 4.86 | 297 | 5.31 | 332 | 6.23 | 365 | 7.19 | 397 | 8.18 | 427 | 9.26 | 455 | 10.35 | 509 | 12.65 |
| 21000 | 2258 | 207 | 3.43 | 229 | 3.95 | 249 | 4.44 | 268 | 4.93 | 285 | 5.38 | 302 | 5.86 | 335 | 6.81 | 367 | 7.38 | 398 | 8.82 | 428 | 9.90 | 456 | 11.04 | 510 | 13.38 |



AirEquipos

Ventiladores Industriales
Desde 1970
52 (55) 5541-2405
52 (55) 5541-0679 fax

Modelo EVC 20

Diseño F

e-mail ventas@airequipos.com

| | | |
|----------------------|-------|-------------------------|
| Diam. Rotor (pulg) | 20.00 | Unidad Lavadora de Aire |
| Area Descarga (pie2) | 4.202 | |
| RPM Maximias | 1150 | |

Presion Estatica (pulgadas columna de agua con aire estándar de 0.075 lb/ pie3 de densidad)

| Flujo (PCM) | Vel. de Salida pies/ min | 0.13 | | 0.25 | | 0.38 | | 0.50 | | 0.63 | | 0.75 | | 1.00 | | 1.25 | | 1.50 | | 1.75 | | 2.00 | | 2.50 | |
|----------------|-----------------------------|------|------|------|------|------|------|------|------|------|------|------|------|------|------|------|------|------|------|------|------|------|------|------|------|
| | | rpm | hp | rpm | hp | rpm | hp | rpm | hp | rpm | hp | rpm | hp | rpm | hp | rpm | hp | rpm | hp | rpm | hp | rpm | hp | rpm | hp |
| 3000 | 714 | 187 | 0.12 | 251 | 0.19 | 306 | 0.27 | 361 | 0.37 | 411 | 0.49 | 455 | 0.60 | 528 | 0.86 | 590 | 1.06 | 643 | 1.29 | 692 | 1.53 | 737 | 1.78 | 817 | 2.28 |
| 4000 | 952 | 205 | 0.21 | 261 | 0.30 | 309 | 0.39 | 353 | 0.49 | 394 | 0.60 | 435 | 0.73 | 516 | 1.02 | 586 | 1.33 | 646 | 1.62 | 699 | 1.92 | 747 | 2.23 | 832 | 2.84 |
| 5000 | 1190 | 229 | 0.36 | 276 | 0.46 | 320 | 0.57 | 361 | 0.69 | 398 | 0.81 | 433 | 0.93 | 498 | 1.20 | 565 | 1.53 | 630 | 1.89 | 688 | 2.27 | 742 | 2.66 | 834 | 3.38 |
| 6000 | 1428 | 262 | 0.58 | 297 | 0.68 | 336 | 0.80 | 373 | 0.94 | 408 | 1.08 | 440 | 1.22 | 501 | 1.51 | 557 | 1.82 | 611 | 2.17 | 667 | 2.56 | 722 | 2.99 | 822 | 3.90 |
| 7000 | 1666 | 300 | 0.90 | 322 | 0.98 | 356 | 1.12 | 389 | 1.26 | 421 | 1.42 | 452 | 1.58 | 509 | 1.91 | 562 | 2.25 | 612 | 2.60 | 658 | 2.96 | 705 | 3.37 | 801 | 4.30 |
| 8000 | 1904 | 340 | 1.33 | 353 | 1.39 | 380 | 1.52 | 410 | 1.70 | 438 | 1.84 | 466 | 2.02 | 521 | 2.40 | 571 | 2.76 | 618 | 3.14 | 663 | 3.55 | 706 | 3.95 | 788 | 4.81 |
| 9000 | 2142 | 380 | 1.89 | 390 | 1.94 | 407 | 2.04 | 433 | 2.20 | 459 | 2.38 | 485 | 2.57 | 535 | 2.96 | 583 | 3.39 | 628 | 3.80 | 671 | 4.23 | 712 | 4.66 | 790 | 5.57 |
| 10000 | 2380 | 421 | 2.58 | 428 | 2.63 | 440 | 2.71 | 458 | 2.84 | 482 | 3.03 | 506 | 3.23 | 552 | 3.64 | 597 | 4.09 | 641 | 4.57 | 682 | 5.03 | 721 | 5.49 | 796 | 6.46 |
| 11000 | 2618 | 462 | 3.43 | 467 | 3.47 | 476 | 3.54 | 489 | 3.65 | 507 | 3.81 | 529 | 4.02 | 572 | 4.47 | 614 | 4.92 | 655 | 5.42 | 695 | 5.94 | 733 | 6.46 | 805 | 7.48 |
| 12000 | 2856 | 503 | 4.44 | 508 | 4.49 | 515 | 4.55 | 524 | 4.64 | 537 | 4.78 | 554 | 4.96 | 595 | 5.43 | 634 | 5.92 | 672 | 6.42 | 709 | 6.95 | 746 | 7.53 | 816 | 8.66 |
| 13000 | 3094 | 544 | 5.64 | 549 | 5.69 | 554 | 5.74 | 561 | 5.83 | 571 | 5.94 | 583 | 6.10 | 618 | 6.54 | 655 | 7.06 | 691 | 7.60 | 726 | 8.14 | 761 | 8.71 | 829 | 9.95 |



AirEquipos

Ventiladores Industriales
Desde 1970
52 (55) 5541-2405
52 (55) 5541-0679 fax

Modelo EVC 22

Diseño F

e-mail ventas@airequipos.com

| | | |
|----------------------|-------|-------------------------|
| Diam. Rotor (pulg) | 22.00 | Unidad Lavadora de Aire |
| Area Descarga (pie2) | 5.097 | |
| RPM Maximias | 1100 | |

Presion Estatica (pulgadas columna de agua con aire estándar de 0.075 lb/ pie3 de densidad)

| Flujo (PCM) | Vel. de Salida pies/ min | 0.13 | | 0.25 | | 0.38 | | 0.50 | | 0.63 | | 0.75 | | 1.00 | | 1.25 | | 1.50 | | 1.75 | | 2.00 | | 2.50 | |
|----------------|-----------------------------|------|------|------|------|------|------|------|------|------|------|------|------|------|------|------|------|------|------|------|------|------|-------|------|-------|
| | | rpm | hp | rpm | hp | rpm | hp | rpm | hp | rpm | hp | rpm | hp | rpm | hp | rpm | hp | rpm | hp | rpm | hp | rpm | hp | rpm | hp |
| 4000 | 785 | 179 | 0.18 | 237 | 0.28 | 288 | 0.40 | 336 | 0.54 | 383 | 0.71 | 427 | 0.89 | 500 | 1.26 | 558 | 1.63 | 608 | 2.00 | 654 | 2.37 | 696 | 2.76 | 770 | 3.58 |
| 5000 | 981 | 194 | 0.30 | 245 | 0.41 | 291 | 0.53 | 333 | 0.67 | 372 | 0.83 | 410 | 1.00 | 586 | 1.42 | 544 | 1.88 | 612 | 2.34 | 661 | 2.81 | 705 | 3.26 | 784 | 4.19 |
| 6000 | 1177 | 214 | 0.45 | 257 | 0.59 | 299 | 0.73 | 338 | 0.87 | 374 | 1.03 | 407 | 1.19 | 471 | 1.59 | 535 | 2.05 | 598 | 2.59 | 654 | 3.14 | 705 | 3.69 | 791 | 4.82 |
| 7000 | 1373 | 236 | 0.67 | 273 | 0.82 | 310 | 0.98 | 346 | 1.14 | 380 | 1.30 | 412 | 1.48 | 470 | 1.86 | 526 | 2.32 | 580 | 2.81 | 635 | 3.37 | 689 | 4.10 | 785 | 5.29 |
| 8000 | 1570 | 261 | 0.97 | 292 | 1.11 | 325 | 1.29 | 357 | 1.48 | 389 | 1.66 | 419 | 1.84 | 475 | 2.25 | 526 | 2.68 | 576 | 3.18 | 623 | 3.71 | 671 | 4.30 | 766 | 5.65 |
| 9000 | 1766 | 286 | 1.30 | 314 | 1.48 | 342 | 1.67 | 371 | 1.88 | 400 | 2.09 | 428 | 2.29 | 481 | 2.70 | 531 | 3.71 | 578 | 3.66 | 622 | 4.18 | 655 | 4.77 | 750 | 6.04 |
| 10000 | 1962 | 311 | 1.73 | 337 | 1.93 | 362 | 2.14 | 388 | 2.36 | 414 | 2.59 | 440 | 2.83 | 490 | 3.28 | 538 | 3.94 | 583 | 4.27 | 625 | 4.80 | 665 | 5.33 | 744 | 6.62 |
| 11000 | 2158 | 337 | 2.26 | 361 | 2.48 | 384 | 2.71 | 407 | 2.94 | 430 | 3.19 | 454 | 3.44 | 501 | 3.95 | 546 | 4.45 | 589 | 4.95 | 631 | 5.54 | 670 | 6.12 | 744 | 7.13 |
| 12000 | 2354 | 364 | 2.89 | 386 | 3.13 | 407 | 3.38 | 428 | 3.63 | 449 | 3.88 | 471 | 4.15 | 515 | 4.71 | 557 | 5.25 | 598 | 5.81 | 638 | 6.35 | 676 | 6.98 | 748 | 8.25 |
| 13000 | 2551 | 391 | 3.63 | 411 | 3.89 | 430 | 4.15 | 450 | 4.43 | 469 | 4.70 | 489 | 4.97 | 529 | 5.57 | 570 | 6.17 | 608 | 6.75 | 646 | 7.36 | 683 | 7.95 | 753 | 9.29 |
| 14000 | 2747 | 418 | 4.49 | 436 | 4.77 | 455 | 5.05 | 473 | 5.34 | 491 | 5.64 | 509 | 5.93 | 546 | 6.54 | 584 | 7.19 | 621 | 7.83 | 656 | 8.46 | 692 | 9.12 | 760 | 10.43 |
| 15000 | 2943 | 445 | 5.48 | 462 | 5.77 | 480 | 6.08 | 496 | 6.38 | 514 | 6.70 | 531 | 7.02 | 564 | 7.65 | 599 | 8.32 | 634 | 9.03 | 669 | 9.71 | 702 | 10.39 | 768 | 11.78 |



AirEquipos

Ventiladores Industriales
Desde 1970
52 (55) 5541-2405
52 (55) 5541-0679 fax

Modelo EVC15

Diseño F

e-mail ventas@airequipos.com

| | |
|--------------------|--------------|
| Diam. Rotor (pulg) | 15.00 |
| Area Descarga | 2.010 (pie2) |
| RPM Maximas | 1450 |

Unidad Lavadora de Aire

Presion Estatica (pulgadas columna de agua con aire estándar de 0.075 lb/ pie3 de densidad)

| Flujo | Vel. de Salida | 0.13 | | 0.25 | | 0.38 | | 0.50 | | 0.63 | | 0.75 | | 1.00 | | 1.25 | | 1.50 | | 1.75 | | 2.00 | |
|-------|----------------|-------|-------------|------|-------|------|-------|------|-------|------|-------|------|-------|------|-------|------|-------|------|-------|------|-------|------|-------|
| | | (PCM) | (pies/ min) | rpm | hp | rpm | hp | rpm | hp | rpm | hp | rpm | hp | rpm | hp | rpm | hp | rpm | hp | rpm | hp | rpm | hp |
| 2000 | 995 | 273 | 0.130 | 350 | 0.200 | 420 | 0.260 | 480 | 0.305 | 539 | 0.385 | 595 | 0.445 | 696 | 0.560 | 779 | 0.710 | 865 | 0.840 | 938 | 0.940 | 1033 | 1.050 |
| 2500 | 1243.8 | 308 | 0.210 | 370 | 0.270 | 430 | 0.340 | 488 | 0.400 | 541 | 0.470 | 592 | 0.550 | 682 | 0.685 | 760 | 0.825 | 841 | 0.970 | 922 | 1.140 | 992 | 1.270 |
| 3000 | 1492.5 | 343 | 0.300 | 395 | 0.360 | 453 | 0.440 | 504 | 0.520 | 551 | 0.585 | 598 | 0.670 | 679 | 0.810 | 752 | 0.950 | 825 | 1.150 | 905 | 1.360 | 966 | 1.490 |
| 3500 | 1741.3 | 383 | 0.430 | 429 | 0.490 | 478 | 0.570 | 524 | 0.665 | 569 | 0.740 | 610 | 0.830 | 685 | 0.970 | 755 | 1.160 | 824 | 1.350 | 897 | 1.580 | 957 | 1.780 |
| 4000 | 1990 | 480 | 0.590 | 467 | 0.680 | 511 | 0.760 | 552 | 0.850 | 591 | 0.942 | 626 | 1.020 | 696 | 1.170 | 763 | 1.410 | 829 | 1.600 | 893 | 1.850 | 952 | 2.090 |
| 4500 | 2238.8 | 468 | 0.790 | 505 | 0.880 | 452 | 0.970 | 579 | 1.060 | 614 | 1.117 | 647 | 1.250 | 712 | 1.440 | 777 | 1.680 | 839 | 1.920 | 900 | 2.180 | 954 | 2.400 |
| 5000 | 2487.5 | 491 | 1.010 | 539 | 1.130 | 573 | 1.240 | 608 | 1.350 | 639 | 1.430 | 670 | 1.540 | 734 | 1.770 | 796 | 2.030 | 856 | 2.270 | 910 | 2.540 | 963 | 2.790 |



AirEquipos

Ventiladores Industriales
Desde 1970
52 (55) 5541-2405
52 (55) 5541-0679 fax

Modelo EVC18

Diseño F


e-mail ventas@airequipos.com

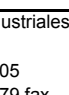
| | |
|--------------------|--------------|
| Diam. Rotor (pulg) | 18.00 |
| Area Descarga | 2.865 (pie2) |
| RPM Maximas | 1100 |

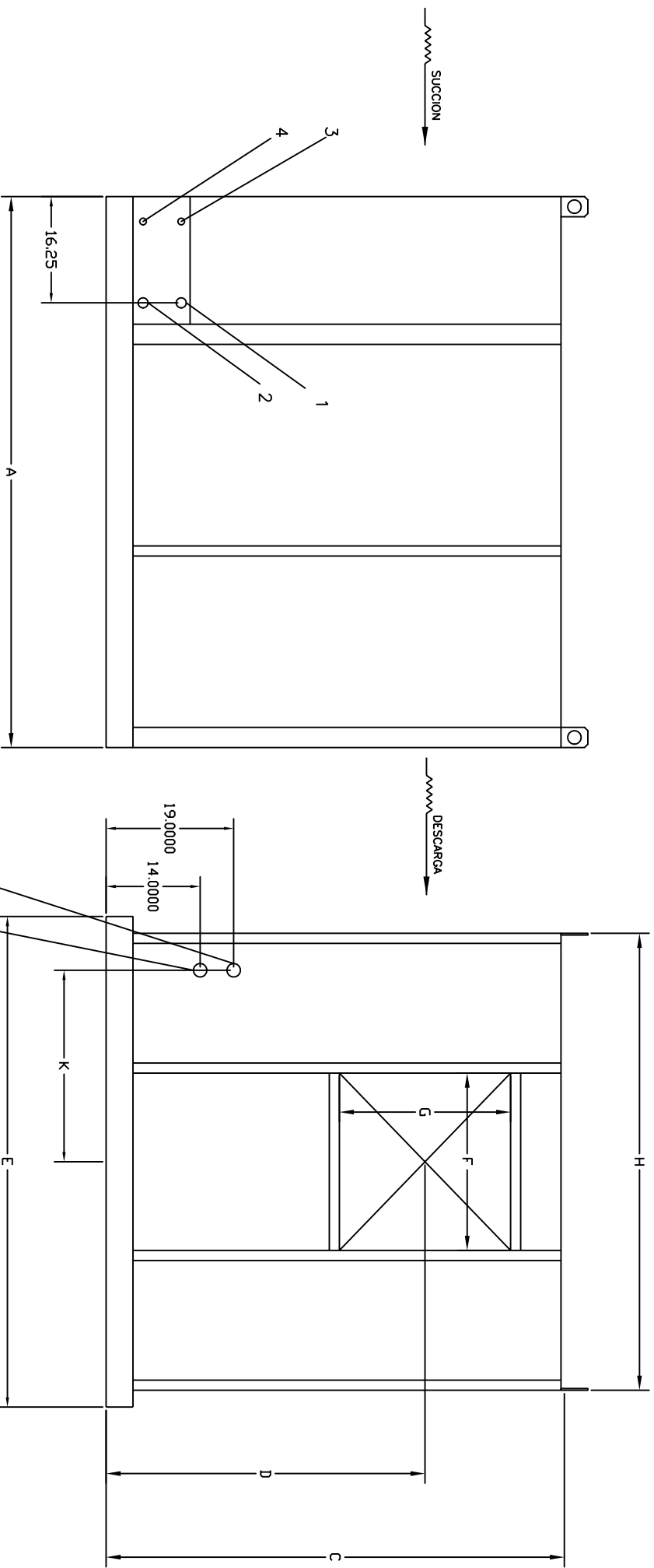
Unidad Lavadora de Aire

Presion Estatica (pulgadas columna de agua con aire estándar de 0.075 lb/ pie3 de densidad)

| Flujo | Vel. de Salida | 0.13 | | 0.25 | | 0.38 | | 0.50 | | 0.63 | | 0.75 | | 1.00 | | 1.25 | | 1.50 | | 1.75 | | 2.00 | |
|-------|----------------|-------|-------------|------|-------|------|-------|------|-------|------|-------|------|-------|------|-------|------|-------|------|-------|------|-------|------|-------|
| | | (PCM) | (pies/ min) | rpm | hp | rpm | hp | rpm | hp | rpm | hp | rpm | hp | rpm | hp | rpm | hp | rpm | hp | rpm | hp | rpm | hp |
| 3000 | 1047 | 244 | 0.180 | 302 | 0.280 | 360 | 0.370 | 414 | 0.470 | 461 | 0.530 | 505 | 0.610 | 593 | 0.820 | 669 | 1.000 | 740 | 1.300 | 800 | 1.450 | 854 | 1.700 |
| 3500 | 1222 | 250 | 0.250 | 315 | 0.360 | 370 | 0.470 | 418 | 0.560 | 461 | 0.630 | 503 | 0.710 | 585 | 0.930 | 659 | 1.200 | 730 | 1.400 | 795 | 1.600 | 850 | 1.950 |
| 4000 | 1396 | 281 | 0.340 | 340 | 0.480 | 383 | 0.670 | 427 | 0.660 | 467 | 0.760 | 505 | 0.830 | 581 | 1.060 | 650 | 1.400 | 719 | 1.600 | 777 | 1.800 | 835 | 2.100 |
| 4500 | 1571 | 298 | 0.460 | 351 | 0.610 | 400 | 0.710 | 437 | 0.800 | 475 | 0.870 | 511 | 0.990 | 583 | 1.220 | 652 | 1.600 | 713 | 1.800 | 768 | 2.000 | 830 | 2.300 |
| 5000 | 1745 | 316 | 0.600 | 367 | 0.740 | 413 | 0.860 | 449 | 0.960 | 485 | 1.030 | 521 | 1.190 | 589 | 1.430 | 655 | 1.900 | 711 | 2.000 | 768 | 2.280 | 822 | 2.550 |
| 5500 | 1920 | 338 | 0.720 | 388 | 0.900 | 427 | 1.020 | 463 | 1.130 | 499 | 1.270 | 531 | 1.420 | 596 | 1.660 | 657 | 2.100 | 713 | 2.250 | 766 | 2.470 | 822 | 2.850 |
| 6000 | 2094 | 361 | 0.940 | 407 | 1.120 | 442 | 1.160 | 476 | 1.360 | 510 | 1.500 | 542 | 1.670 | 606 | 1.940 | 664 | 2.350 | 717 | 2.500 | 768 | 2.880 | 820 | 3.150 |
| 6500 | 2269 | 383 | 1.130 | 423 | 1.280 | 457 | 1.440 | 492 | 1.600 | 523 | 1.760 | 556 | 1.880 | 616 | 2.200 | 670 | 2.650 | 724 | 2.850 | 772 | 3.150 | 823 | 3.450 |
| 7000 | 2443 | 405 | 1.360 | 439 | 1.500 | 475 | 1.720 | 508 | 1.870 | 532 | 2.020 | 571 | 2.200 | 629 | 2.520 | 679 | 2.950 | 732 | 3.200 | 780 | 3.350 | 830 | 3.850 |

|  AirEquipos | | Ventiladores Industriales Desde 1970 52 (55) 5541-2405 52 (55) 5541-0679 fax | | Modelo EVC10 Diseño F e-mail ventas@airequipos.com | | | | | | | | | | | | | | | | | | | |
|---|----------------|---|-------|--|-------|------|-------|------|-------|------|-------|------|-------|------|-------|------|-------|------|-------|------|-------|------|-------|
| Diam. Rotor (pulg) | 10.00 | Unidad Lavadora de Aire | | | | | | | | | | | | | | | | | | | | | |
| Area Descarga | 1.015 (pie2) | | | | | | | | | | | | | | | | | | | | | | |
| RPM Maximias | 2150 | | | | | | | | | | | | | | | | | | | | | | |
| Presion Estatica (pulgadas columna de agua con aire estándar de 0.075 lb/ pie3 de densidad) | | | | | | | | | | | | | | | | | | | | | | | |
| Flujo | Vel. de Salida | 0.13 | | 0.25 | | 0.38 | | 0.50 | | 0.63 | | 0.75 | | 1.00 | | 1.25 | | 1.50 | | 1.75 | | 2.00 | |
| (PCM) | (pies/ min) | rpm | hp | rpm | hp | rpm | hp | rpm | hp | rpm | hp | rpm | hp | rpm | hp | rpm | hp | rpm | hp | rpm | hp | rpm | hp |
| 800 | 788 | 369 | 0.077 | 490 | 0.125 | 600 | 0.170 | 700 | 0.200 | 781 | 0.240 | 859 | 0.280 | 1002 | 0.370 | 1127 | 0.450 | 1238 | 0.500 | 1334 | 0.580 | 1429 | 0.680 |
| 1000 | 985 | 400 | 0.100 | 507 | 0.155 | 600 | 0.180 | 693 | 0.210 | 773 | 0.260 | 843 | 0.300 | 977 | 0.380 | 1102 | 0.470 | 1217 | 0.510 | 1315 | 0.600 | 1417 | 0.720 |
| 1200 | 1182 | 435 | 0.135 | 529 | 0.180 | 618 | 0.220 | 705 | 0.260 | 770 | 0.290 | 841 | 0.330 | 967 | 0.420 | 1086 | 0.490 | 1194 | 0.515 | 1300 | 0.700 | 1395 | 0.780 |
| 1400 | 1379 | 477 | 0.160 | 558 | 0.220 | 640 | 0.260 | 718 | 0.290 | 782 | 0.330 | 847 | 0.380 | 968 | 0.460 | 1078 | 0.545 | 1182 | 0.610 | 1276 | 0.720 | 1375 | 0.810 |
| 1600 | 1576 | 517 | 0.220 | 591 | 0.250 | 671 | 0.300 | 739 | 0.335 | 800 | 0.380 | 863 | 0.430 | 987 | 0.530 | 1082 | 0.610 | 1176 | 0.710 | 1269 | 0.780 | 1364 | 0.880 |
| 1800 | 1773 | 564 | 0.270 | 635 | 0.320 | 706 | 0.360 | 763 | 0.400 | 822 | 0.450 | 883 | 0.500 | 991 | 0.600 | 1090 | 0.680 | 1182 | 0.800 | 1264 | 0.830 | 1353 | 0.980 |
| 2000 | 1970 | 611 | 0.345 | 678 | 0.370 | 738 | 0.420 | 791 | 0.470 | 848 | 0.530 | 904 | 0.590 | 1091 | 0.770 | 1103 | 0.800 | 1190 | 0.910 | 1273 | 0.980 | 1356 | 1.100 |

|  AirEquipos | | Ventiladores Industriales Desde 1970 52 (55) 5541-2405 52 (55) 5541-0679 fax | | Modelo EVC12 Diseño F e-mail ventas@airequipos.com | | | | | | | | | | | | | | | | | | | |
|---|----------------|---|-------|--|-------|------|-------|------|-------|------|-------|------|-------|------|-------|------|-------|------|-------|------|-------|------|-------|
| Diam. Rotor (pulg) | 12.00 | Unidad Lavadora de Aire | | | | | | | | | | | | | | | | | | | | | |
| Area Descarga | 1.441 (pie2) | | | | | | | | | | | | | | | | | | | | | | |
| RPM Maximias | 1700 | | | | | | | | | | | | | | | | | | | | | | |
| Presion Estatica (pulgadas columna de agua con aire estándar de 0.075 lb/ pie3 de densidad) | | | | | | | | | | | | | | | | | | | | | | | |
| Flujo | Vel. de Salida | 0.13 | | 0.25 | | 0.38 | | 0.50 | | 0.63 | | 0.75 | | 1.00 | | 1.25 | | 1.50 | | 1.75 | | 2.00 | |
| (PCM) | (pies/ min) | rpm | hp | rpm | hp | rpm | hp | rpm | hp | rpm | hp | rpm | hp | rpm | hp | rpm | hp | rpm | hp | rpm | hp | rpm | hp |
| 1200 | 833 | 320 | 0.080 | 417 | 0.133 | 500 | 0.185 | 576 | 0.233 | 642 | 0.270 | 705 | 0.310 | 830 | 0.408 | 938 | 0.510 | 1031 | 0.617 | 1111 | 0.730 | 1195 | 0.800 |
| 1400 | 972 | 343 | 0.105 | 424 | 0.158 | 503 | 0.218 | 574 | 0.258 | 639 | 0.303 | 700 | 0.333 | 816 | 0.422 | 916 | 0.528 | 1016 | 0.640 | 1105 | 0.770 | 1205 | 0.900 |
| 1600 | 1111 | 360 | 0.130 | 436 | 0.183 | 511 | 0.238 | 579 | 0.288 | 641 | 0.325 | 702 | 0.370 | 809 | 0.468 | 904 | 0.570 | 1000 | 0.670 | 1081 | 0.800 | 1205 | 1.000 |
| 1800 | 1250 | 378 | 0.160 | 451 | 0.215 | 519 | 0.268 | 587 | 0.320 | 648 | 0.377 | 704 | 0.415 | 811 | 0.508 | 899 | 0.610 | 989 | 0.716 | 1067 | 0.820 | 1200 | 1.050 |
| 2000 | 1388 | 400 | 0.198 | 463 | 0.255 | 533 | 0.312 | 596 | 0.365 | 654 | 0.418 | 711 | 0.468 | 812 | 0.560 | 900 | 0.663 | 983 | 0.778 | 1059 | 0.890 | 1188 | 1.100 |
| 2200 | 1527 | 424 | 0.240 | 486 | 0.300 | 549 | 0.362 | 609 | 0.418 | 665 | 0.468 | 718 | 0.520 | 817 | 0.621 | 902 | 0.728 | 984 | 0.845 | 1057 | 0.960 | 1176 | 1.200 |
| 2400 | 1666 | 448 | 0.282 | 507 | 0.358 | 564 | 0.415 | 623 | 0.470 | 676 | 0.527 | 728 | 0.580 | 823 | 0.688 | 906 | 0.797 | 986 | 0.920 | 1057 | 1.030 | 1165 | 1.250 |
| 2600 | 1805 | 474 | 0.351 | 530 | 0.420 | 586 | 0.480 | 638 | 0.540 | 691 | 0.590 | 740 | 0.650 | 831 | 0.760 | 913 | 0.888 | 990 | 1.003 | 1060 | 1.110 | 1155 | 1.350 |
| 2800 | 1944 | 502 | 0.430 | 554 | 0.493 | 605 | 0.550 | 657 | 0.610 | 706 | 0.667 | 753 | 0.730 | 840 | 0.850 | 920 | 0.975 | 997 | 1.100 | 1064 | 1.210 | 1150 | 1.430 |
| 3000 | 2083 | 562 | 0.593 | 605 | 0.656 | 650 | 0.722 | 696 | 0.780 | 739 | 0.850 | 783 | 0.908 | 863 | 1.050 | 937 | 1.250 | 1011 | 1.350 | 1077 | 1.490 | 1153 | 1.700 |



- 1--- Suministro de agua cople 0.5" dia.
- 2--- Purga cople 0.5" dia.
- 3--- Rebosadero tanque principal 1.5" dia.
- 4--- Drenaje tanque principal 1.5" dia.

Acometida electrica motor
Acometida electrica bomba(s)

- 1--- Rev 1 se modifico cota D
- 2--- Rev 2 se elimina tanque auxiliar y se modificaron cotos
Los orjes de izaje no estaban

| TAMANO | No. DE PAREDES LAVADORAS | AREA MEDIO (pie2) | A | B | C | D | E | F | G | H | K | PESO SIN AGUA KG. | PESO DE OPERACION CELDEK (con agua) KG. |
|--------|--------------------------|-------------------|-------|-------|-------|-------|----|-------|-------|----|-------|-------------------|---|
| EVC-10 | 1 | 3.1 | 70 | | 40 | 27.38 | 40 | 13.94 | 12.75 | 35 | 12 | 175 | 240 |
| EVC-12 | 1 | 4 | 74 | | 43.75 | 31 | 42 | 15.94 | 15.31 | 37 | 13 | 210 | 288 |
| EVC-15 | 1 | 7.5 | 80 | | 54 | 38.56 | 60 | 18.94 | 18.38 | 55 | 22 | 224 | 337 |
| EVC-18 | 1 | 10 | 80 | | 54 | 38 | 60 | 21.94 | 21.44 | 55 | 22 | 337 | 485 |
| EVC-20 | 1 | 16 | 93 | | 67.75 | 35.28 | 61 | 24 | 23.5 | 56 | 22.5 | 445 | 628 |
| EVC-22 | 1 | 20 | 87.50 | 32.50 | 61 | 29.06 | 65 | 26.31 | 25.63 | 65 | 24.81 | 527 | 756 |

AirEquipos

Unidades de enfriamiento evaporativo series EVC (10 a 22)

Titulo: **rev 2**

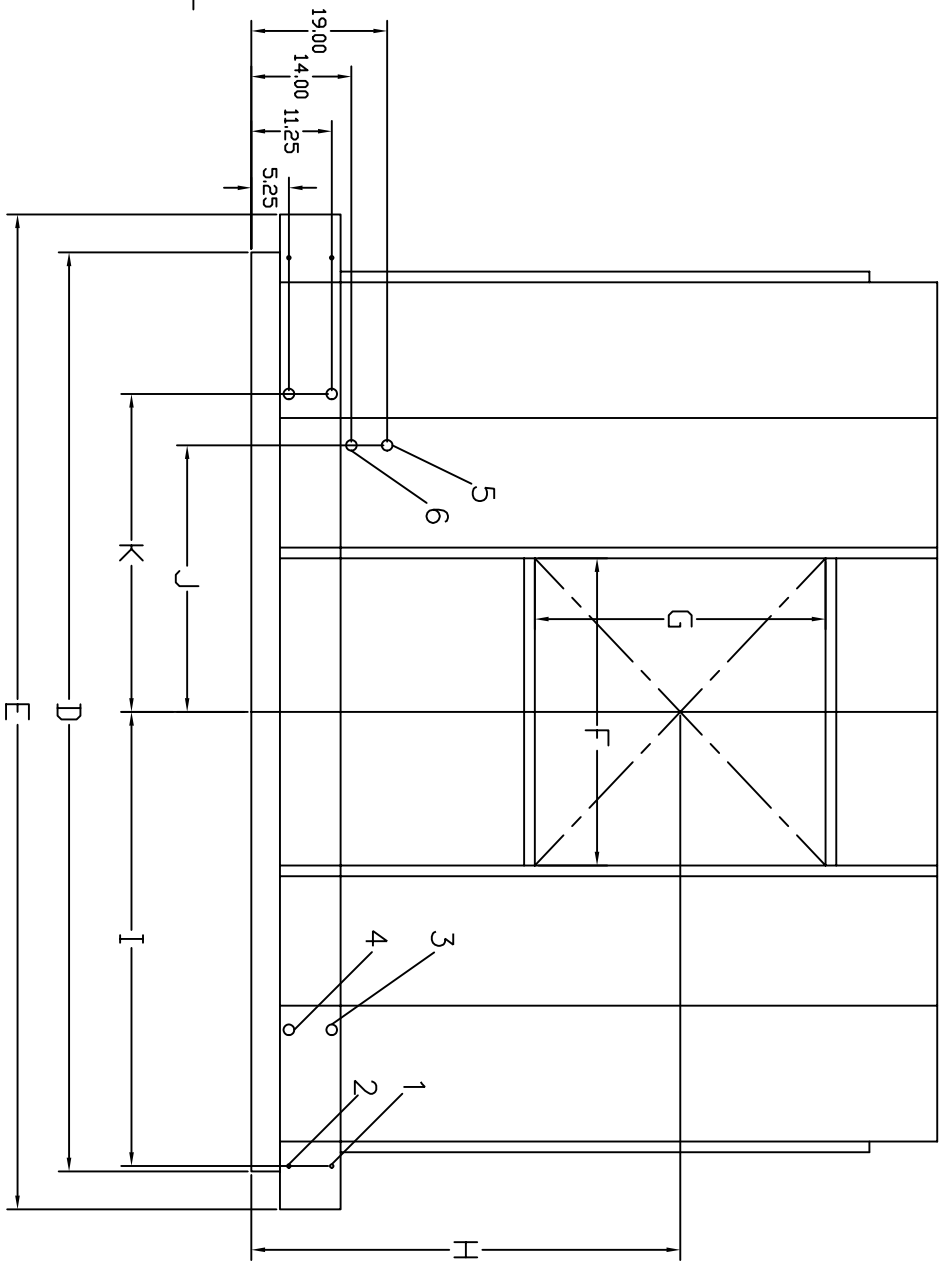
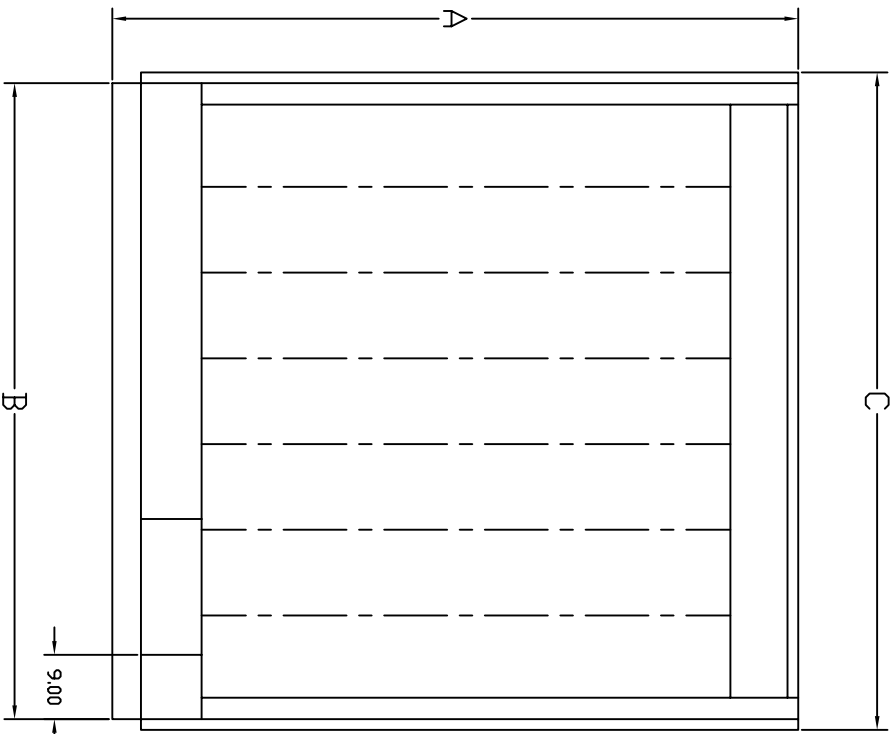
Fecha: 25-IX-2009

Dibujo: GMA

Aprobo: FGE

Dimis: Pulg.

No. Plano: **EVC 10-22**



- 1--Cople 0.5" suministro agua
- 2--Cople 0.5" purga tanque auxiliar
- 3--Cople 1.5" rebosadero
- 4--Cople 1.5" dren
- 5--Acometida electrica motor
- 6--Acometida electrica bombas

| TAMAÑO | No. DE PAREDES LAVADORAS | AREA MEDIO (pie2) | A | B | C | D | E | F | G | H | I | J | K | PESO SIN AGUA KG. | PESO DE OPERACION (con agua) KG. |
|--------|--------------------------|-------------------|----|----|----|--------|--------|----|-------|-------|-------|-------|-------|-------------------|----------------------------------|
| EVC-25 | 2 | 30 | 64 | 65 | 68 | 115.5 | 126.5 | 31 | 28.56 | 40.25 | 57 | 30.75 | 37.94 | 684 | 1084 |
| EVC-30 | 2 | 48 | 68 | 77 | 80 | 120.63 | 131.62 | 36 | 33.62 | 44.38 | 59.56 | 33.31 | 40.5 | 927 | 1474 |
| EVC-33 | 2 | 60 | 82 | 83 | 86 | 124.62 | 135.62 | 39 | 36.81 | 53.88 | 61.56 | 35.31 | 42.5 | 1132 | 1792 |
| EVC-37 | 2 | 84 | 92 | 99 | 92 | 128.62 | 139.62 | 43 | 40.69 | 50 | 63.56 | 37.31 | 44.5 | 1249 | 2046 |

AirEquipos

Unidades de enfriamiento evaporativo series EVC (25 a 37)

Fecha: 28-IV-2005

Dibujo: GMA

Aprobo: FGE

Dimis: Pulg.

No. Plano

EVC 25-37